



# ArenaVision MVF404 – exceptional optical efficiency

## ArenaVision MVF404

The ArenaVision MVF404 floodlight – designed for outdoor sports stadiums – dramatically increases the theatrical and emotional impact of sports for TV audiences and spectators, while allowing the players to perform under optimal visual conditions. Thanks to the innovative Philips MHN-SE 2000 W high-output compact single-ended metal-halide lamp and high-tech single-piece precision optics, ArenaVision MVF404 offers much higher optical efficiency than ever before. In addition, this 2 kW floodlight boasts easy lamp fitting and replacement, full IP65 compliance, a new safety knife connector system and a breakthrough electronic hot-restrike solution – while continuing to deliver all the traditional benefits of Philips ArenaVision systems.

### Benefits

- Innovative floodlight with a new compact single-ended lamp which has been developed exclusively for ArenaVision and brings out the best in the game
- New quartz metal halide lamp meets the most demanding lighting and TV broadcast requirements with excellent color rendering
- New lamp and special optics ensure maximum optical efficiency and enable accurate light distribution with a minimum of spill light

**Features**

- High-output compact single-ended metal-halide lamp with excellent color rendering
- Dedicated precision optics

- IP65
- Safety knife connector system
- Electronic hot-restrike

**Application**

- Outdoor sport stadiums

**Specifications**

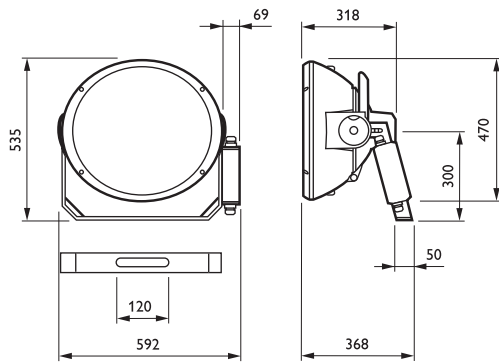
<ul style="list-style-type: none"> <li>• <b>Type</b></li> </ul>	<p>MVF404</p>	<ul style="list-style-type: none"> <li>• <b>Installation</b></li> </ul>	<p>On mast head frame, ceiling, wall and floor mounting The lamp is easily installed and lamping/relamping can be done with one hand only Precision aiming facilities at both top and bottom of the housing for use in conjunction with the ZVF403 PAD accessory Adjustment of mounting bracket: 360° Ambient temperature outdoor: 35°C (25°C indoor) Drag factor (Cx): 0.93 Projected area in 70° position: 0.20 m<sup>2</sup> Max adjustment from the horizontal: -90 / +90°</p>
<ul style="list-style-type: none"> <li>• <b>Light source</b></li> </ul>	<p>HID: - 1 x MASTER MHN-SE HO / GX22-HR / 2000 W</p>	<ul style="list-style-type: none"> <li>• <b>Maintenance</b></li> </ul>	<p>Lamp access by opening clips of rear cover (tool-less) Equipped with knife connector system, which automatically disconnects the mains power when the rear-access back cover is opened (no need for additional relay/contactor or any extra cabling) No internal cleaning required</p>
<ul style="list-style-type: none"> <li>• <b>Lamp included</b></li> </ul>	<p>Yes (light color 956)</p>	<ul style="list-style-type: none"> <li>• <b>Accessories</b></li> </ul>	<p>External louver (ZVF403 GS), precision (ZVF403 PAD) aiming device</p>
<ul style="list-style-type: none"> <li>• <b>Optic</b></li> </ul>	<p>Beam category B1 (B1) Beam category B2 (B2) Beam category B3 (B3) Beam category B4 (B4) Beam category B5 (B5) Beam category B6 (B6) Beam category B7 (B7) Beam category B8 (B8)</p>	<ul style="list-style-type: none"> <li>• <b>Remarks</b></li> </ul>	<p>Equipped with series ignitor (SI) and terminal block in aluminum connection box on the bracket Color filters for architectural lighting are available on request Wire mesh to prevent large glass falling out Pre-wired 380 - 415 V / 50 Hz gear trays (ZVF320) are available, to be ordered separately</p>
<ul style="list-style-type: none"> <li>• <b>Optical cover</b></li> </ul>	<p>Front-glass for downlighting (DOWN) and uplighting versions (UP)</p>	<ul style="list-style-type: none"> <li>• <b>Main applications</b></li> </ul>	<p>Outdoor sport stadiums</p>
<ul style="list-style-type: none"> <li>• <b>Ignitor</b></li> </ul>	<p>Series (SI), integral Hot-restrike, electronic (HRE), integral</p>		
<ul style="list-style-type: none"> <li>• <b>Options</b></li> </ul>	<p>Aiming memory (AM) to safeguard the original aiming position of the luminaire during servicing Hot re-strike versions enabling immediate restoration of lighting after power supply failure Uplighting versions available for architectural lighting Special cable sleeve version for tropical regions</p>		
<ul style="list-style-type: none"> <li>• <b>Materials and finishing</b></li> </ul>	<p>Housing and rear cover: non-corrosive, high-pressure die-cast aluminum Glass: chemically toughened, 1.6 mm thick (for downlighting versions), ceramic 3 mm thick (for uplighting versions) Mounting bracket: hot-dipped galvanized, painted steel Clips: stainless steel (to secure the back cover) Reflector: anodized and brightened 99.99% aluminum Finishing in raw aluminum</p>		

Related products

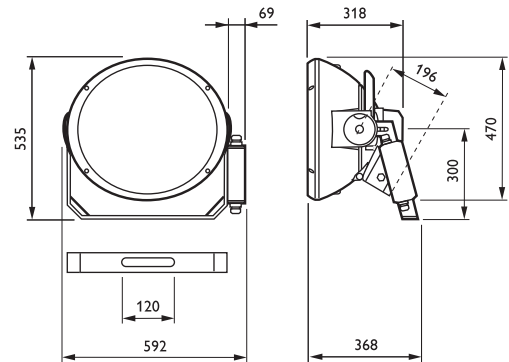


ArenaVision MVF404 sports flood-lighting luminaire

Dimensional drawing

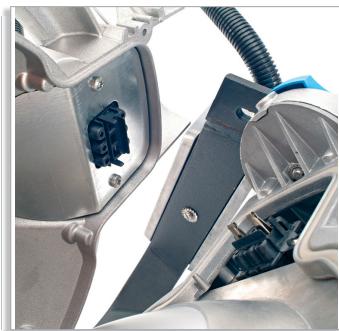


MVF404 SI



MVF404 HRE

Product details



Built-in safety knife connector system, which automatically disconnects the mains power when the rear-access back cover is opened



MVF404 with B1 optic



Side view of ArenaVision MVF404 with connection box on the bracket



MVF404 with B2 optic

Product details



MVF404 with B3 optic



MVF404 with B4 optic



MVF404 with B5 optic



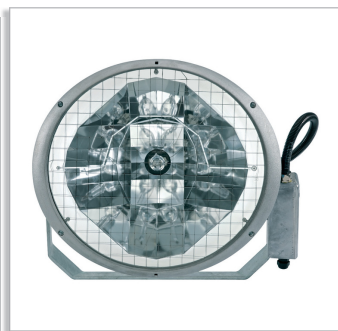
MVF404 with B6 optic



MVF404 with B7 optic



Compact lamp with conventional hot-restrike ignitor (HRE)



General information

Order code	Product family code	Number of lamps	Lamp family code	Lamp power	Lamp color code	Optic	Optical cover	Gear	European Community mark	ENEC mark
910502218118	MVF404	1	MHN-SE	2000	956	B1	DOWN	No	CE	ENEC
910502218218	MVF404	1	MHN-SE	2000	956	B2	DOWN	No	CE	ENEC
910502218318	MVF404	1	MHN-SE	2000	956	B3	DOWN	No	CE	ENEC
910502218418	MVF404	1	MHN-SE	2000	956	B4	DOWN	No	CE	ENEC

Order code	Product family code	Number of lamps	Lamp family code	Lamp power	Lamp color code	Optic	Optical cover	Gear	European Community mark	ENEC mark
910502218518	MVF404	1	MHN-SE	2000	956	B5	DOWN	No	CE	ENEC
910502218618	MVF404	1	MHN-SE	2000	956	B6	DOWN	No	CE	ENEC
910502218718	MVF404	1	MHN-SE	2000	956	B7	DOWN	No	CE	ENEC
910502218818	MVF404	1	MHN-SE	2000	956	B1	DOWN	No	CE	ENEC
910502218918	MVF404	1	MHN-SE	2000	956	B2	DOWN	No	CE	ENEC
910502219018	MVF404	1	MHN-SE	2000	956	B3	DOWN	No	CE	ENEC
910502219118	MVF404	1	MHN-SE	2000	956	B4	DOWN	No	CE	ENEC
910502219218	MVF404	1	MHN-SE	2000	956	B5	DOWN	No	CE	ENEC
910502219318	MVF404	1	MHN-SE	2000	956	B6	DOWN	No	CE	ENEC
910502219418	MVF404	1	MHN-SE	2000	956	B7	DOWN	No	CE	ENEC
910502219518	MVF404	1	MHN-SE	2000	956	B1	DOWN	No	CE	ENEC
910502219618	MVF404	1	MHN-SE	2000	956	B2	DOWN	No	CE	ENEC
910502219718	MVF404	1	MHN-SE	2000	956	B3	DOWN	No	CE	ENEC
910502219818	MVF404	1	MHN-SE	2000	956	B4	DOWN	No	CE	ENEC
910502219918	MVF404	1	MHN-SE	2000	956	B5	DOWN	No	CE	ENEC
910502220018	MVF404	1	MHN-SE	2000	956	B6	DOWN	No	CE	ENEC
910502220118	MVF404	1	MHN-SE	2000	956	B7	DOWN	No	CE	ENEC
910502220218	MVF404	1	MHN-SE	2000	956	B1	DOWN	No	CE	ENEC
910502220318	MVF404	1	MHN-SE	2000	956	B2	DOWN	No	CE	ENEC
910502220418	MVF404	1	MHN-SE	2000	956	B3	DOWN	No	CE	ENEC
910502220518	MVF404	1	MHN-SE	2000	956	B4	DOWN	No	CE	ENEC
910502220618	MVF404	1	MHN-SE	2000	956	B5	DOWN	No	CE	ENEC
910502220718	MVF404	1	MHN-SE	2000	956	B6	DOWN	No	CE	ENEC
910502220818	MVF404	1	MHN-SE	2000	956	B7	DOWN	No	CE	ENEC
910502273418	MVF404	1	MHN-SE	2000	956	B1	UP	No	CE	ENEC
910502273518	MVF404	1	MHN-SE	2000	956	B2	UP	No	CE	ENEC
910502273618	MVF404	1	MHN-SE	2000	956	B3	UP	No	CE	ENEC
910502273718	MVF404	1	MHN-SE	2000	956	B4	UP	No	CE	ENEC
910502273818	MVF404	1	MHN-SE	2000	956	B5	UP	No	CE	ENEC
910502273918	MVF404	1	MHN-SE	2000	956	B6	UP	No	CE	ENEC
910502274018	MVF404	1	MHN-SE	2000	956	B7	UP	No	CE	ENEC
910502274118	MVF404	1	MHN-SE	2000	956	B8	UP	No	CE	ENEC
910502274218	MVF404	1	MHN-SE	2000	956	B1	UP	No	CE	ENEC
910502274318	MVF404	1	MHN-SE	2000	956	B2	UP	No	CE	ENEC
910502274418	MVF404	1	MHN-SE	2000	956	B3	UP	No	CE	ENEC
910502274518	MVF404	1	MHN-SE	2000	956	B4	UP	No	CE	ENEC
910502274618	MVF404	1	MHN-SE	2000	956	B5	UP	No	CE	ENEC
910502274718	MVF404	1	MHN-SE	2000	956	B6	UP	No	CE	ENEC
910502274818	MVF404	1	MHN-SE	2000	956	B7	UP	No	CE	ENEC
910502274918	MVF404	1	MHN-SE	2000	956	B8	UP	No	CE	ENEC
910502275018	MVF404	1	MHN-SE	2000	956	B1	UP	No	CE	ENEC
910502275118	MVF404	1	MHN-SE	2000	956	B2	UP	No	CE	ENEC
910502275218	MVF404	1	MHN-SE	2000	956	B3	UP	No	CE	ENEC
910502275318	MVF404	1	MHN-SE	2000	956	B4	UP	No	CE	ENEC
910502275418	MVF404	1	MHN-SE	2000	956	B5	UP	No	CE	ENEC
910502275518	MVF404	1	MHN-SE	2000	956	B6	UP	No	CE	ENEC
910502275618	MVF404	1	MHN-SE	2000	956	B7	UP	No	CE	ENEC
910502275718	MVF404	1	MHN-SE	2000	956	B8	UP	No	CE	ENEC

Order code	Product family code	Number of lamps	Lamp family code	Lamp power	Lamp color code	Optic	Optical cover	Gear	European Community mark	ENEC mark
910502275818	MVF404	1	MHN-SE	2000	956	B1	UP	No	CE	ENEC
910502275918	MVF404	1	MHN-SE	2000	956	B2	UP	No	CE	ENEC
910502276018	MVF404	1	MHN-SE	2000	956	B3	UP	No	CE	ENEC
910502276118	MVF404	1	MHN-SE	2000	956	B4	UP	No	CE	ENEC
910502276218	MVF404	1	MHN-SE	2000	956	B5	UP	No	CE	ENEC
910502276318	MVF404	1	MHN-SE	2000	956	B6	UP	No	CE	ENEC
910502276418	MVF404	1	MHN-SE	2000	956	B7	UP	No	CE	ENEC
910502276518	MVF404	1	MHN-SE	2000	956	B8	UP	No	CE	ENEC
910502279218	MVF404	1	MHN-SE	2000	956	B8	DOWN	No	CE	ENEC
910502279318	MVF404	1	MHN-SE	2000	956	B8	DOWN	No	CE	ENEC
910502279418	MVF404	1	MHN-SE	2000	956	B8	DOWN	No	CE	ENEC
910502279518	MVF404	1	MHN-SE	2000	956	B8	DOWN	No	CE	ENEC

Accessories



**ZVF403 GS**  
External louver



**ZVF403 PAD**  
Precision aiming device

Accessories

Order code	Product family code	Description
910502509418	ZVF403 PAD	ZVF403 - Precision aiming device

Order code	Product family code	Description
910500702218	ZVF403 GS	ZVF403 - Glare shield



© 2011 Koninklijke Philips Electronics N.V.  
All rights reserved.

Specifications are subject to change without notice. Trademarks are the property of Koninklijke Philips Electronics N.V. or their respective owners.

[www.philips.com/lighting](http://www.philips.com/lighting)

2011, September 21  
data subject to change